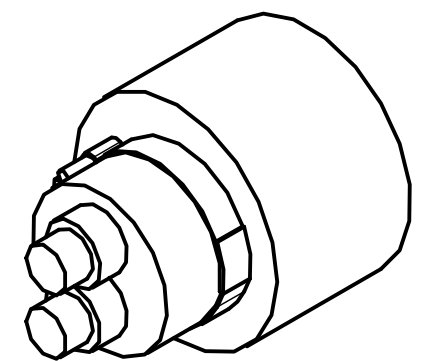
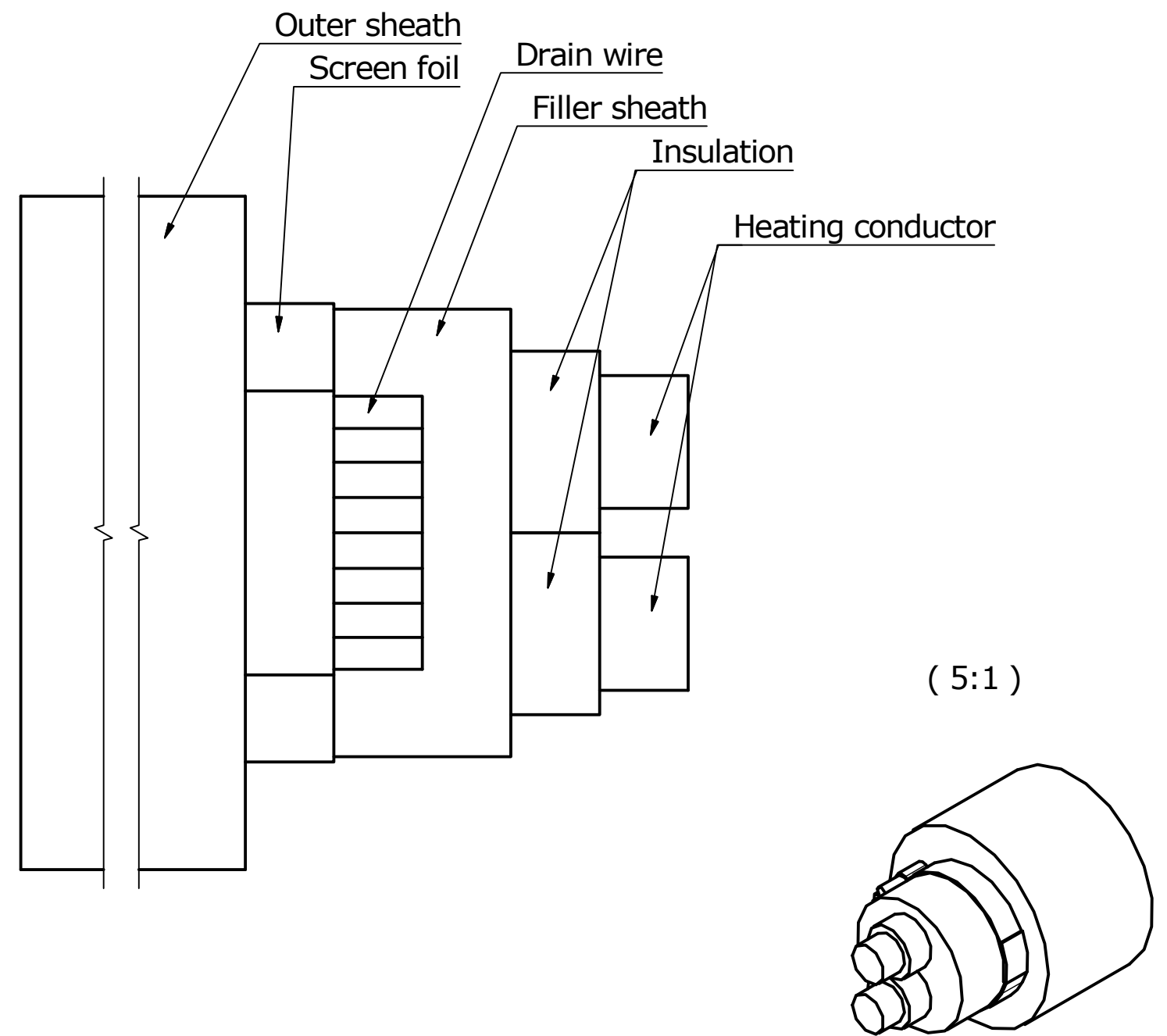
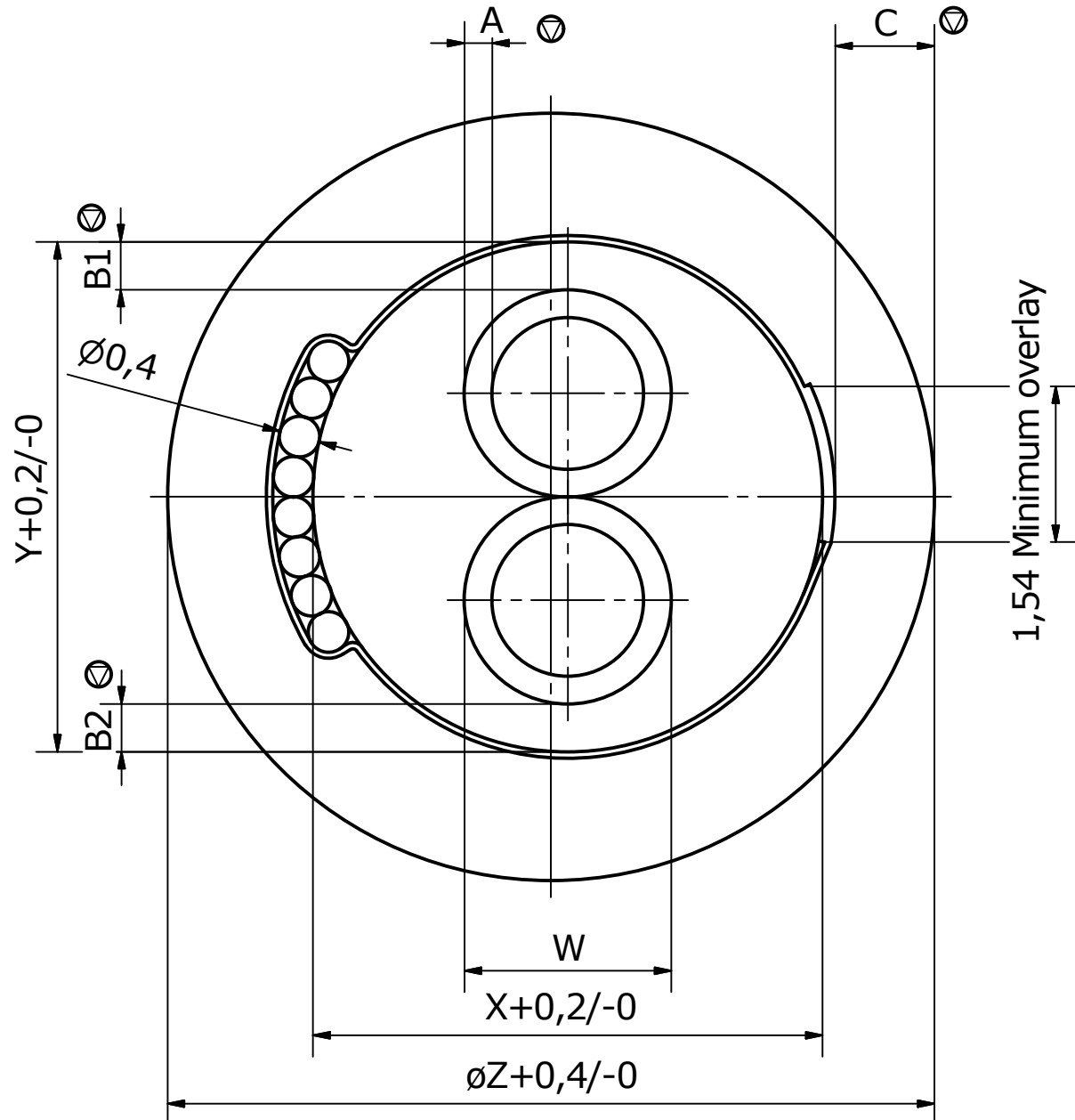


DTCE	Nominal dimension	Minimum average dimension	Minimum dimension
A-Insulation	0.275	0.25 mm	0.234 mm
B1/B2-Inner covering		0.45	0.325
C-Outer sheath	1.0	0.95	0.8
The difference between B1 and B2 must not exceed 0.3 mm			



Fore X, Y, Z, W and other information see table

			Projection 	Scale 15:1	Size A3	Material Danfoss Standard 500B0598
Mrk	Approval/Rev	Date	 <b>Danfoss Vejle</b>			Drawing Heating Cable
Replace	03107000	04.00				DTCE
Design	Henning Guld	05.10.2010				
Approval	Dorthe Hansen	24.12.2010				
Confidential: Property of Danfoss A/S. Not to be handed over to, copied or used by third party. Two- or three dimensional reproduction of contents to be authorized by Danfoss A/S.						No. 100005 000
						02
						1 / 1